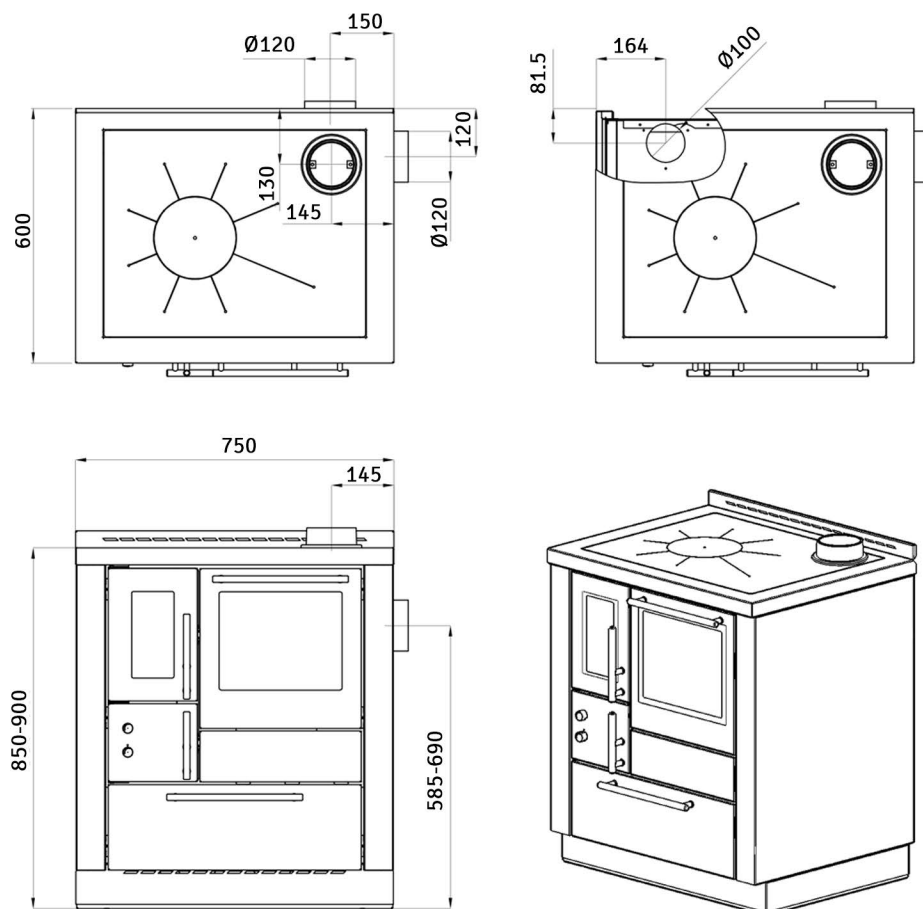


Drawing



Certifications

EN 12815
DIN 18880



ART. 15A B-VG

Öko Combustion



EXTERNAL AIR
INTAKE



ÖKO SERIES



AUTOMATIC
CONTROL



MANUAL
CONTROL

Technical specifications - rated power

Power	7,1	kW
Efficiency	82,3	%
Hourly consumption	2	kg/h
Average flue gas temperature	228,5	°C
Draft flow rate	11	Pa
CO at 13% of O ₂	0,13	%
Dust particles at 13% of O ₂	39,2	mg/Nm ³

Dimensions

Firebox stokehole W/H	165x258	mm
Firebox size W/H/D	172/280/400	mm
Oven size W/H/D	310/275/440	mm
Hob W/H/D	617/487/8	mm
Flue pipe diameter	Ø120	mm
Adjustable height	850-900	mm
Weight	200	kg

Technical specifications - reduced power

Power	3,5	kW
Efficiency	88,5	%
Hourly consumption	1	kg/h
Average flue gas temperature	125,5	°C
Draft flow rate	11	Pa
CO at 13% of O ₂	0,16	%
Dust particles at 13% of O ₂	-	mg/Nm ³

The information contained in this data sheet is valid at the date of publication (November 2013). Greithwald Herde Srl shall not be held responsible for any printing mistakes. Greithwald Herde Srl works every day to improve its products, therefore it reserves the right to make technical changes at any time, without prior notice.