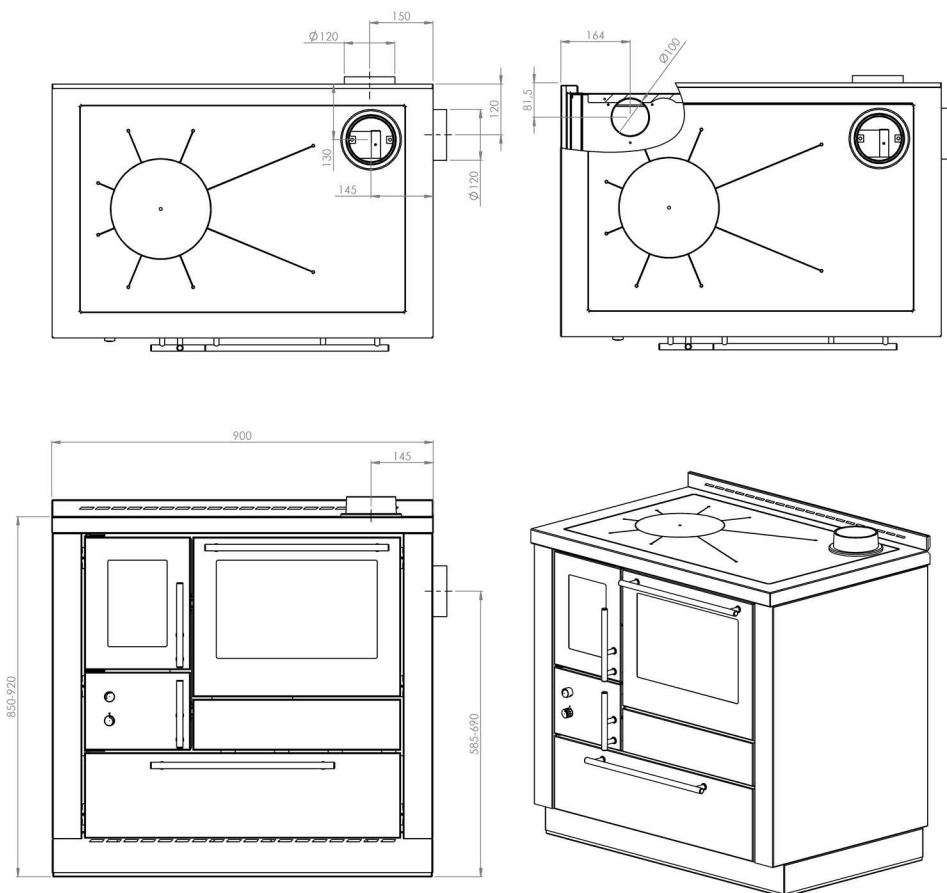


Drawing



Certifications

EN 12815
DIN 18880



ART. 15A B-VG

Öko Combustion



EXTERNAL AIR
INTAKE



ÖKO SERIES



AUTOMATIC
CONTROL



MANUAL
CONTROL

Technical specifications - rated power			Dimensions		
Power	8,8	kW	Firebox stokehole W/H	205x258	mm
Efficiency	82,5	%	Firebox size W/H/D	212/280/400	mm
Hourly consumption	2,5	kg/h	Oven size W/H/D	400/275/440	mm
Average flue gas temperature	214	°C	Hob W/H/D	767/487/8	mm
Draft flow rate	11	Pa	Flue pipe diameter	ø120	mm
CO at 13% of O2	0,13	%	Adjustable height	850-900	mm
Dust particles at 13% of O2	15,7	mg/Nm ³	Weight	223	kg
Technical specifications - reduced power					
Power	4,6	kW			
Efficiency	86	%			
Hourly consumption	1,2	kg/h			
Average flue gas temperature	155	°C			
Draft flow rate	11	Pa			
CO at 13% of O2	0,1	%			
Dust particles at 13% of O2	-	mg/Nm ³			